

**New Orphek Atlantik V4 Reef Aquarium LED Lighting
For Both Android and Iphone**

For Optimal SPS/LPS Coral Growth and Color, Replacing 400w Metal Halide Aquariums
For Aquarium size of 48" x 35" / 120cm x 90cm.



Features

- Built- in Wireless Worldwide Remote and Local programming, control and monitoring.
- Ability to program multiple Atlantiks individually, in groups or in unison.
- Eight pre-installed programs/ unlimited custom programs and group programming.
- Full dimming capacity in all channels, 0-100% with progressive dimming.
- Demo Mode Color Change (Jellyfish Mode)
- Large storage with capacity for additional programs.
- Compatible with Wi-Fi/ 3G and 4G Internet connectivity
- Compatible with IOS (Iphone and Ipad) and Android (Cell and tablet)
- Free apps available (App Store & Google play).

Specifications

Electrical

MeanWell driver: 1xHLG-240H-48A
Input Voltage: 100-240VAC
227VAC for North America only
Frequency: 47-63Hz
Power Consumption: 201 ~ 235 watts
PF (Power Factor) 0.973
Input Current (Amps) 0.883
Input Voltage (V) 217
Output Voltage (V) 48
Electrical outlet: Region appropriate

Color/Materials

Light Unit Body Material:
Black acrylic housing and silver
stainless steel grill.

Hanging Kit

2 steel cables: 9.84" (250mm)
1 steel cable: 70.86" (1.8m)

Cords

Power extension cord with waterproof
connector from light unit to power
box: Total 118" (3m)
Power Cord: 59" (1.5m)

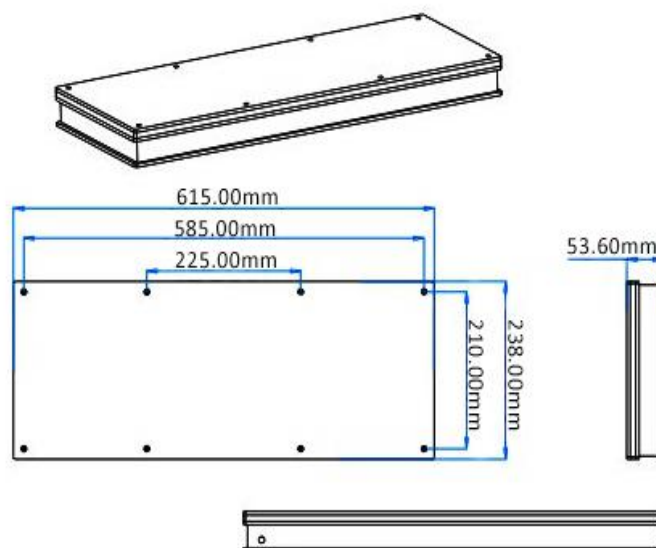
Dimensions

Length: 24.21" (615mm)
width: 9.37" (238mm)
Height: 2.11" (53.6mm)

Weight

Light Unit Weight: 16.7 lbs (7.6kg)
Power Supply Weight: 2.2 lbs (1.02kg)
Total Weight: 19 lbs (8.62kg)

Dimensions



Light Source

Features

- New 78 customized high efficiency 5w Dual-Chip power LEDs – total of 156 individual LEDs.
- New 14 different types of Dual chip wide range LEDs. 380nm UV to 850nm Infra red!
- First company to introduce the Infra red 850nm.
- New Spectrum for better coral growth, color and health.
- Four separate control and programming channels.

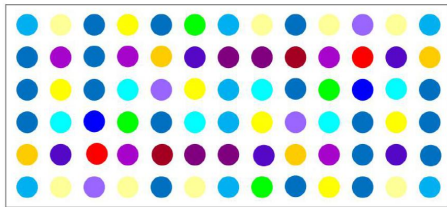
LEDs

78pcs 5 watts Dual-chip LEDs

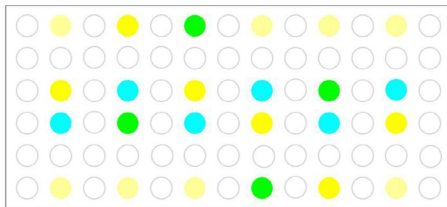
LEDs Ratio Map

Channel	CH1				CH2				CH3			CH4				
LEDs Qty	8	6	4	6	8	14	2	4	5	5	2	4	4	2	2	2
Color	W 20000K	W 5000K	525nm	500nm	470nm	460nm	440nm	430nm	410nm	420nm	380nm	460nm	590nm	W-R	850nm	380nm
Symbol																

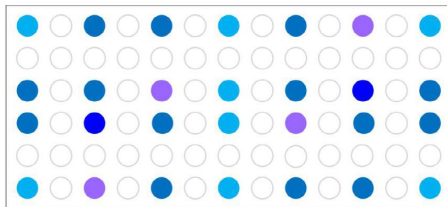
All Channels



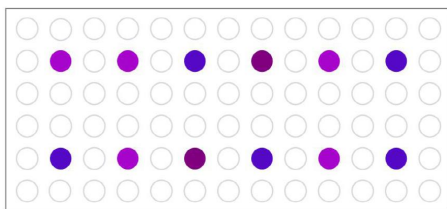
CH1



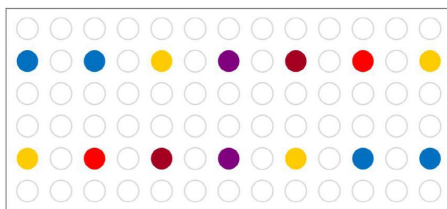
CH2



CH3



CH4



What Can i do with 4 Channels?

- Achieve a Kelvin temperature between 18k and 30k: Channels 1 and 2.
- Achieve that deep blue/purple actinic look that causes coral to fluoresce and show color that are not visible in the higher range of the visible spectrum: Channels 2 and 3.
- Achieve a warm shallow sunlit reef and extend the range from 10K to 18K: Channel 4 and 1.
- Increase the overall range of the light to 10k-30k: combining all 4 channels and adjusting to your preferences.



Channel 1



Channel 2



Channel 3



Channel 4



Channel 1&2



Channel 1&3



Channel 1&4



Channel 2&3



Channel 2&4



Channel 3&4



Channel 1&2&3



Channel 1&3&4



Channel 1&3&4



Channel 1&2&4



Channel 2&3&4



Channel 1&2&3&4

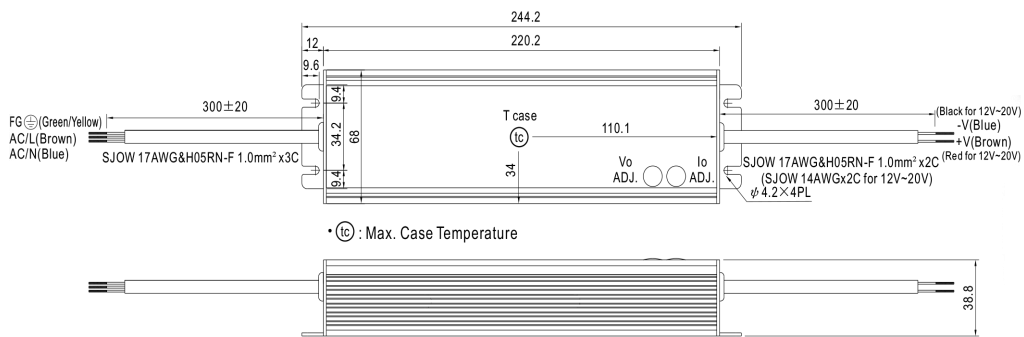
Power Supply



- Universal AC input /Full range(up to 295VAC).
- Built-in active PFC function.
- High efficiency up to 91%.
- Protections:Short circuit/Over current/.
- Over voltage/Over temperature.
- Cooling by free air convection.
- IP65/IP67 design for indoor and outdoor installations.
- Compliance to worldwide safety regulations for lighting.

Dimensions

※A-Type



Package Dimensions / Weight

Length: 27.55" (700mm)

Width: 17.71" (450mm)

Height: 7" (180mm)

Package Weight: 25.35 lbs (11.5kg)

Package V.W.: 26.45 lbs (12.0kg)

