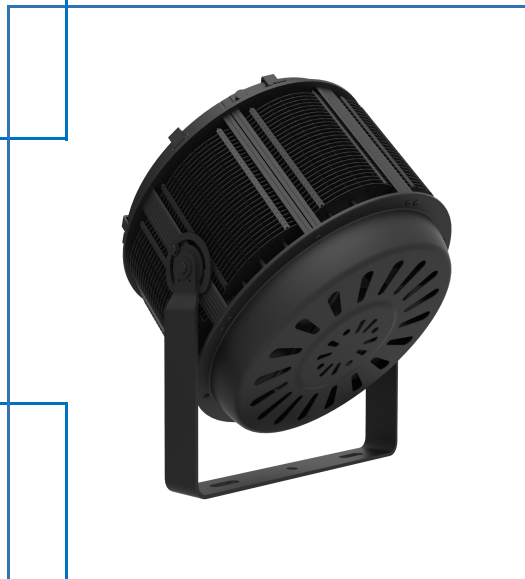




Designed for Deep water systems  
360° Three-dimensional heat  
dissipation optimized thermal solution



## Specifications

### Electrical

MeanWell driver: 2x HLG-240H-36A  
Input Voltage: 100-240VAC  
227VAC for North America only  
Frequency: 47-63Hz  
Power Consumption: 500-510 watts  
PF (Power Factor) 0.980  
Input Current (Amps) 2.336  
Input Voltage (V) 220  
Output Voltage (V) 36  
Electrical outlet: Region appropriate

### Dimensions

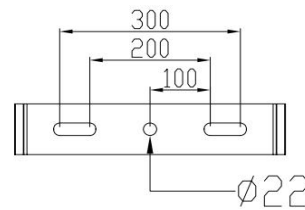
Diameter: 17.5" (445mm)  
Height: 12" (305mm)

### Weight

Light Unit Weight: 33 lbs (15kg)  
Power Supply Weight: 11 lbs (5kg)

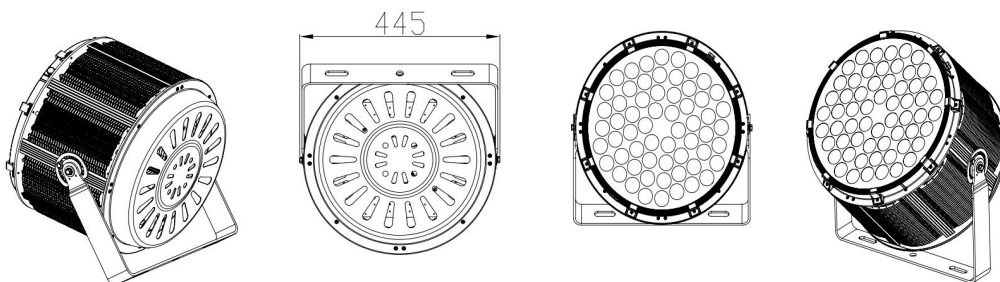
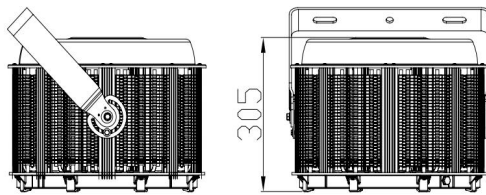
### Color/Materials

Light Unit Body Material:  
Black high quality Aluminum Fin  
with copper heatpipe  
Tempered Glass Cover



### Cords

Power extension cord  
with waterproof connector  
from light unit to power  
box: Total 118" (3m)  
Power Cord: 59" (1.5m)



## New LED Technology-Flip Chip LED

Orphek New LED Technology FlipChip White / Blue LED enables the next generation of lighting applications, gives customers complete design flexibility.



### Features

- Allow for direct attach and reflow— no wire bonds for high reliability.
- Micro sized for design flexibility and high packing density.
- Small source size for highest luminance and beam control.
- Wide viewing angle provides increased uniformity.
- High efficacy at high drive current provides leading system level lm/\$.
- Low thermal resistance.

### LEDs

240pcs 3 watts Flip Chip LEDs

### LEDs Color Options

White : 3000K-18000K

Blue: 450-460nm

### Lens Options

Aluminum Reflection Cup: 15/36/60 degree

Acrylic Lens: 5/12/24/36/60 degree



### Package Dimensions / Weight

Length: 14" ( 357mm)

Width: 17.2" (438mm)

Height: 21.5" (547mm)

Package Weight: 48.5 lbs (22kg)

Package V.W.: 38.6 lbs (17.5kg)

